

TSK-FM420

1D/2D Fixed Scanner



Version 1.0

Specifications

Image Capture Specifications

Image Sensor	CMOS
Resolution	752*480
Interface	RS232, USB

Barcode Scan Specifications

Symbols	2D	PDF417, QR Code(Model 1/2), DataMatrix(ECC200, ECC000, 050, 080, 100,140),Aztec, Maxicode, etc.
	1D	Code128, EAN-13, EAN-8, Code39, UPC-A, UPC-E, Codabar, Interleaved 2 of 5, ISBN, Code 93, UCC/EAN-128, GSI Databar, etc
Precision		≥ 5mil
Depth of Scan Field		35mm-210mm
Print Contrast Ratio		≥ 30%
Sensitivity**	Roll	360° @ 0° Pitch and 0° Skew
	Yaw (skew)	± 60° @ 0° Roll and 0° Pitch
	Pitch	± 60° @ 0° Roll and 0° Skew

Illumination Specifications

Light Source	LED (622 nm - 628 nm)
Light Intensity	330 LUX (130 mm)

Electrical and Mechanical Specifications

Power Consumption	2W	
Voltage	DC 5V (4.5-5.5)	
Current	Working	400mA
	Idle	78mA
	Standby	18mA
	Deep Sleep	800uA
Dimensions(L*W*H)	49.0 *37.0*25.0mm	
Weight	70g	

Environment Specifications

Operating Temperature	-5℃ - +45℃
Storage Temperature	-40℃ - +60℃
Humidity	5% - 95% (non-condensing)
Ambient Illumination	0 - 100,000 LUX

Certificates

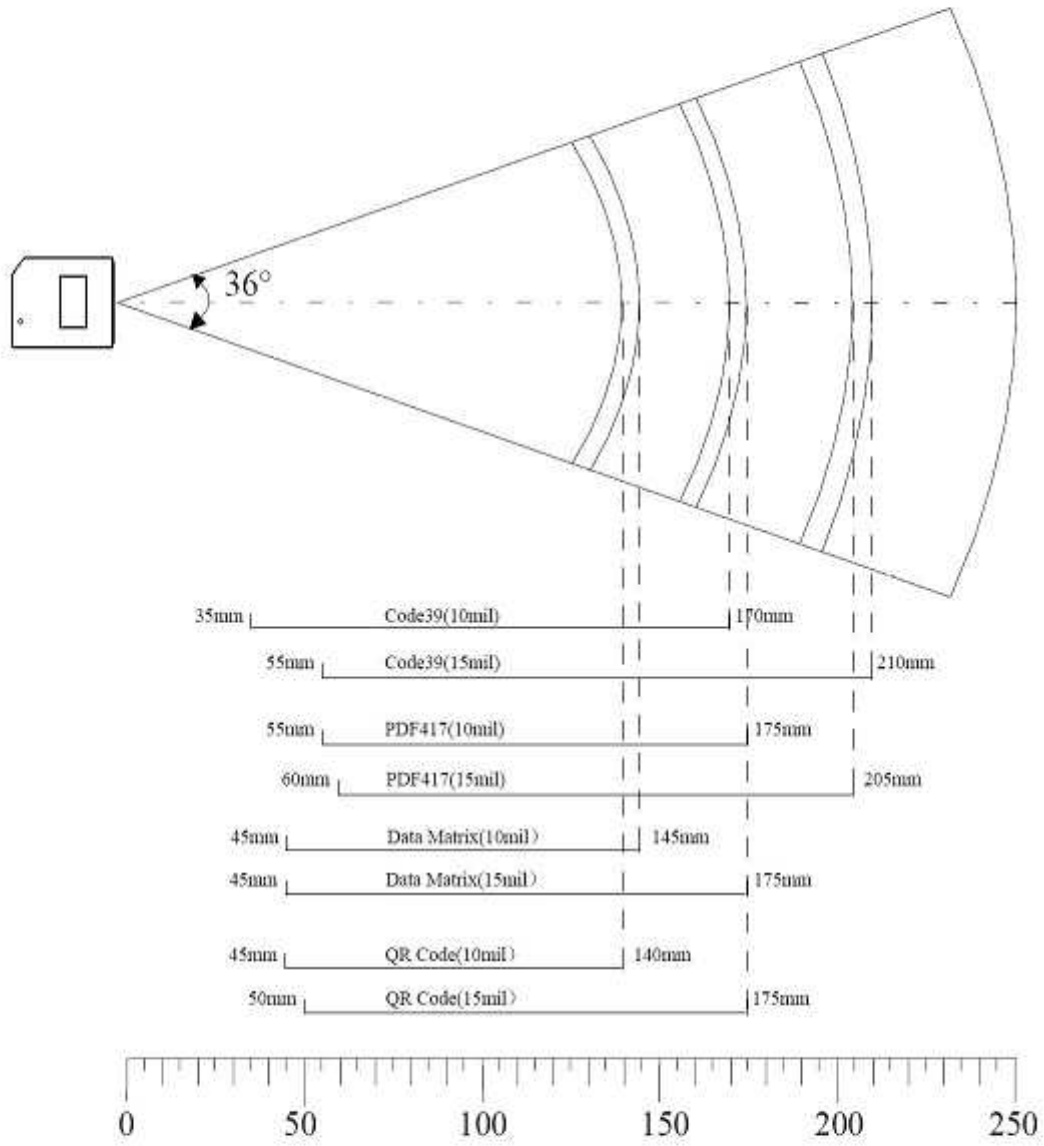
FCC Part15 Class B, CE EMC Class B

**Test Condition:

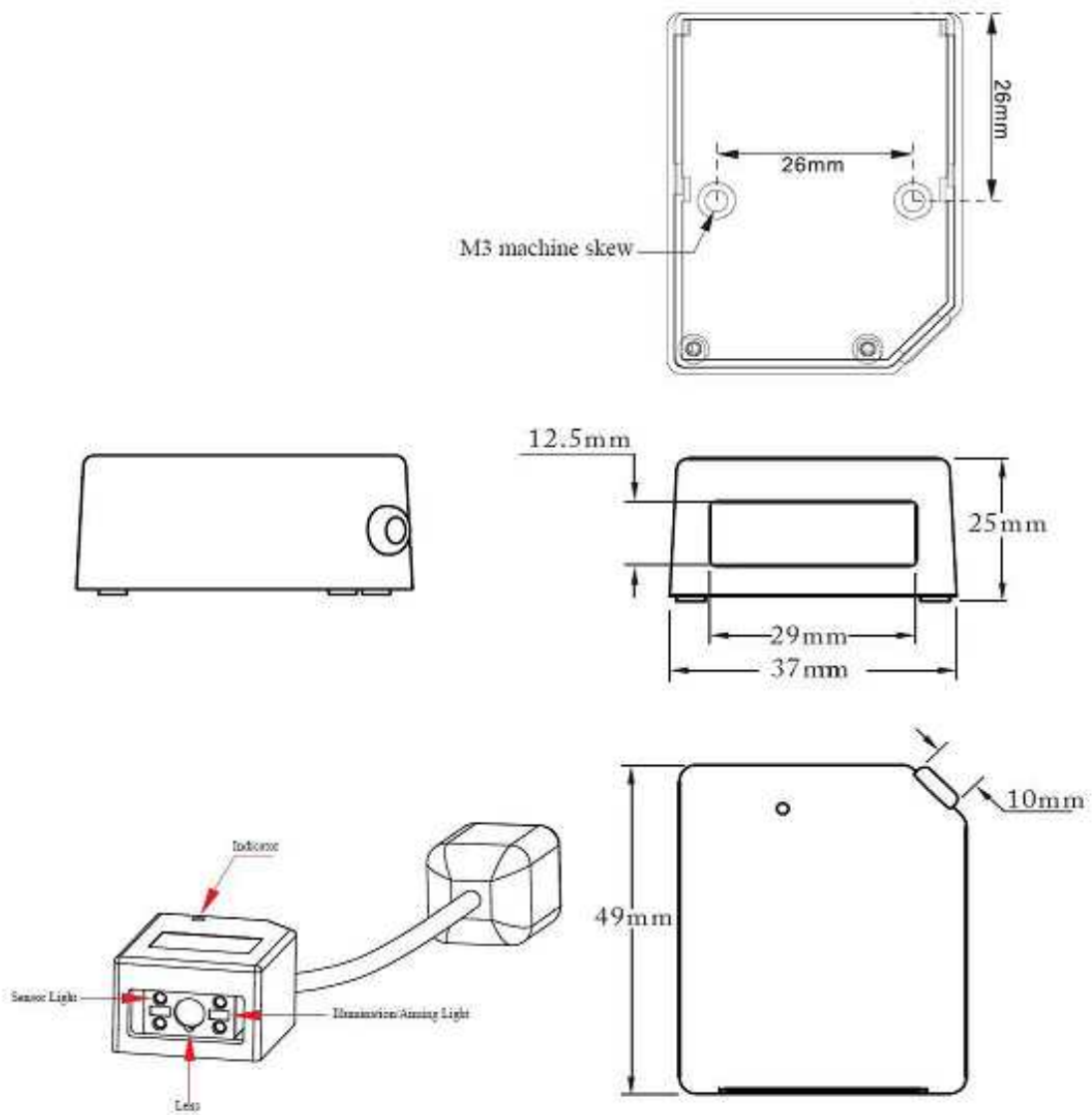
Code39: 4 Bytes ; Resolution = 10mil; W:N = 3:1 ; PCS = 1.0 ;

Barcode Height = 12mm; Distance = 100mm; T=23° C; Illumination= 200 LUX

Decode Zones

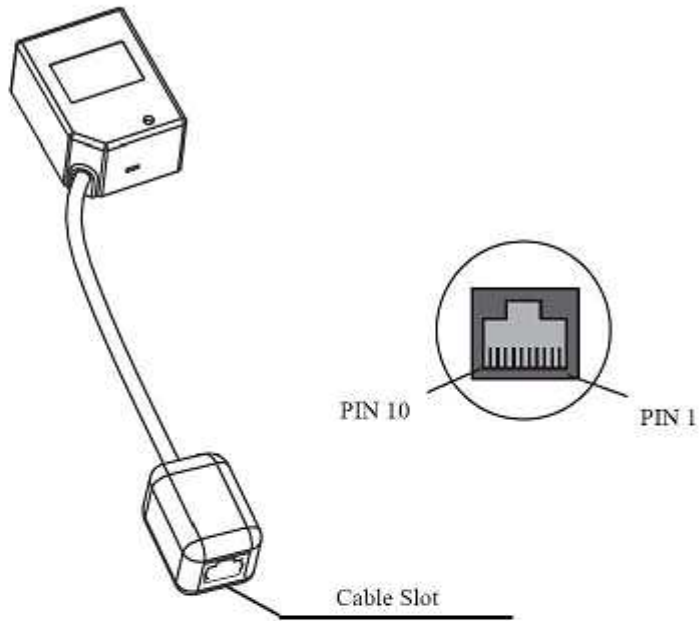


Dimensions of FM420 Unit



TSK-FM420 Dimensions

Data Interface



Pin	Function	Type	Name
1	NC		Null
2	nTrig(I)	I	Trigger
3	VCC	P	Power DC5V
4	TXD	O	Serial Port Output, RS232
5	RXD	I	Serial Port Input, RS232
6	NC		Null
7	NC		Null
8	GND	P	Ground
9	D-	IO	USB Data Signal
10	D+	IO	