



## IT 6320 DPM

## 2D-code hand-held scanner

### Dimensioned drawing

Part No. 501 05369



- Hand-held scanner for Data-Matrix Codes ECC200 and Bar Codes
- High resolution for direct part marking and labels
- Transmission to ST 2020 base station via Bluetooth® standard
- Robust trigger button
- Built-in decoder
- Read-display
- RS 232, USB and PS/2 interface
- Operating temperature from 0°C through 50°C



### Accessories:

(available separately)

- TTL RS 232 cable/PIN 9 for IT 4xxx (Part No.: 501 04586)
- PS/2 cable for IT 4xxx (Part No.: 501 03409)
- USB cable for IT 4xxx (Part No.: 501 03404)
- Power supply unit for IT 4x2x (Part No.: 501 03989)

### Electrical connection

TTL RS 232 cable/PIN 9 (Part No.: 501 04586)

9-pin Sub-D	Signal	ST 2020 RJ 41
SH	Shield	2
2	TXD	6
3	RXD	5
5	GND	4
7	CTS	9
8	RTS	8
9	+5VDC	7

USB cable (Part No.: 501 03404)

USB type A	Signal	ST 2020 RJ 41
1	+5VDC	9
2	Data -	10
3	Data +	2
4	GND	4

PS/2 cable (Part No.: 501 03409)

Mini DIN connector	Mini DIN socket	Signal	ST 2020 RJ 41
1	-	PC Data	6
2	2	NC	-
3	3	GND	4
4	4	+5VDC	7
5	-	PC Clock	5
6	6	NC	-
-	1	KB Data	8
-	5	KB Clock	9

We reserve the right to make changes \* IT\_6320\_e.fm



### Specifications

#### Electrical data

Operating voltage +9VDC  
Power consumption approx. 18W  
Stamina battery approx. 8h during normal use (25°C) and with fully charged battery

#### RF data transmission

Frequency 2.4 ... 2.4835GHz (ISM band),  
Bluetooth® V1.1 class 2  
Range 10m typ.

#### Interfaces

Interface type (at ST 2020) TTL RS 232 and USB for code output, setup and image transmission;  
PS/2 for code output  
Trigger via button or serial

#### Code types

Code types Data Matrix ECC 200, QR Code  
Bar Codes: 2/5 Interleaved, UPC/EAN, Code 39, Code 128, Code 93  
Read direction omnidirectional, various tilt and rotational angles up to 34°

#### Optical data

Optical system high-resolution pixel array with 1280 x 960 pixels  
Light source integrated diffuse LED, light-field and dark-field LED  
Point of focus 5mm from illumination  
Read distance 0 ... 85mm

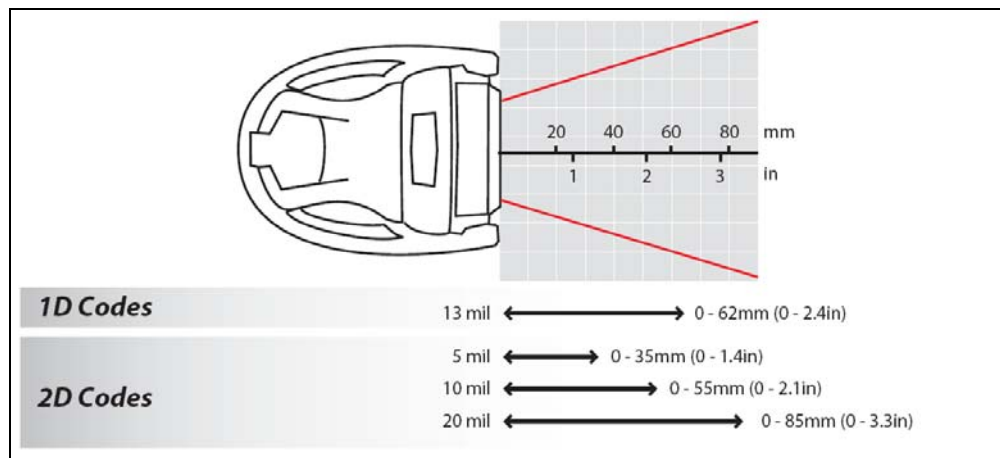
#### Mechanical data

	<b>IT 6320</b>	<b>ST 2020</b>
Housing	polycarbonate/ABS	
Weight	330g	250g
Dimensions	84 x 175 x 134mm	79 x 142 x 109
Shock resistance	25 falls from a height of 2m	50 falls from a height of 2m
Protection class	IP 54	IP 41

#### Environmental data

Ambient temp. (operation) 0°C ... +50°C, during battery charging process: 0°C ... +40°C  
Ambient temp. (storage) -40°C ... +60°C  
Relative air humidity 0% ... 95% (non-condensing)

### Reading curve



### Order guide

	Type	Part No.
2D-code hand-held scanner	IT 6320 DPM	501 05382
Base station for Bluetooth®-transmission (without cable)	ST 2020	501 03990

### Remarks

Ergonomically designed 2D-code hand-held scanner with integrated decoder for direct part marking (DPM).

Data transmission between hand-held scanner and base station via Bluetooth® V1.1 class 2.

ST 2020 base station: keyboard-wedge operation via PS/2 and USB interface, or serial communication via TTL RS 232 and USB interface

For a functional unit, a hand-held scanner and a ST 2020 base station as well as a power supply unit and corresponding cable must be ordered.



Bluetooth is a trademark owned by Bluetooth SIG, Inc., U.S.A. and licensed to hand-held products.