

The Microscan mounting arm is a robust device for mounting unattended bar code scanners in virtually any environment, including industrial applications.

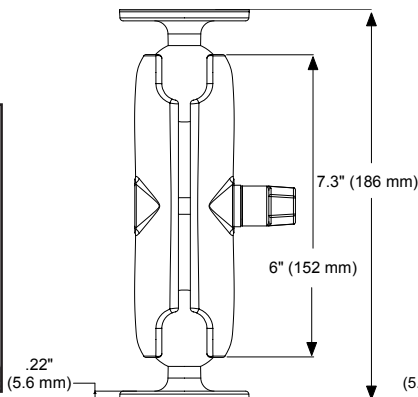
The arm is made of marine-grade powder-coated aluminum. The ball (which forms the joint) is made of injection-molded rubber, which grips the mount firmly in place and minimizes any movement or vibration to the scanner. Mounting arms can be rotated into almost any direction, allowing for flexible positioning of your bar code scanner.

The Microscan mounting arm is available in two sizes: 4-inch (102mm) and 6-inch (152mm). Extension joints and base plates are also available.

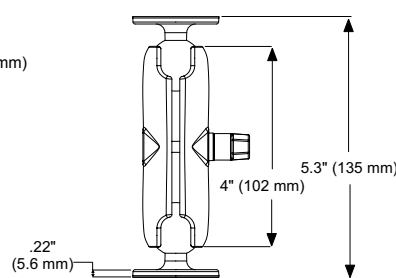
MOUNTING ARM/ADAPTER SPECIFICATIONS



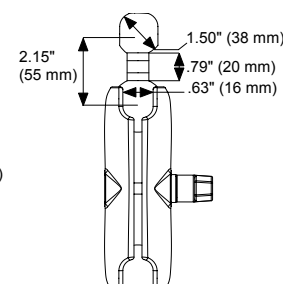
6-Inch (152 mm) Mounting Arm



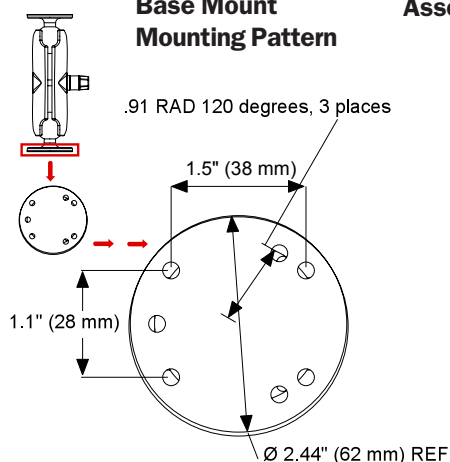
4-Inch (102 mm) Mounting Arm



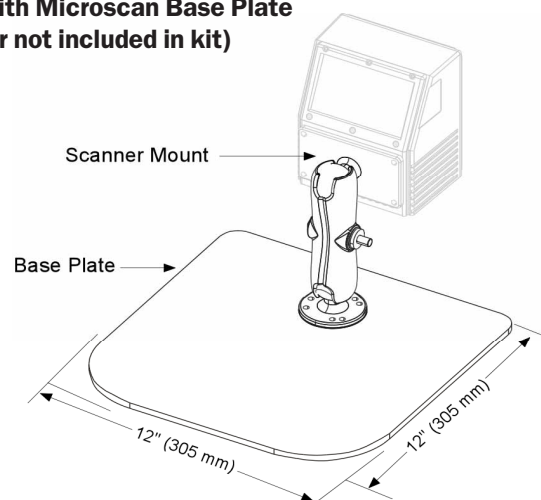
Extension Joint Kit(s) (includes 1 Mounting Arm)









Base Mount Mounting Pattern



Assembled with Microscan Base Plate (scanner not included in kit)



Mounting Arm Options Matrix Kits include scanner mount, mounting arm, and base mount

Microscan Model	 MS-880	 MS-710, 820, 850	 MS-911, 610/520	 Quadrus 2D Models	 VS-310	 IB-880
4-Inch (102 mm)	98-000018-02	98-000016-02	98-000019-02	98-000020-02	98-000015-02	98-000017-02
6-Inch (152 mm)	98-000018-01	98-000016-01	98-000019-01	98-000020-01	98-000015-01	98-000017-01
Extension Joint	98-000037-02: 4-inch kit extension, all scanners. 98-000037-01: 6-inch kit extension all scanners. (Kits include extension joint and mounting arm.)					
Base Plate	98-000046 measures 12" by 12" (305 by 305 mm) (Mounting screws are included with the arm)					