

# MS-1

## Scan Engine



**Compact Shape/Size**

**ACTUAL SIZE SHOWN**

Height: 0.45" (11.5 mm)

Width: 1.26" (32 mm)

Length: 0.94" (24 mm)



### MS-1: At a Glance

- Scans/second: up to 220
- Read Range: 1.0 to 13.0" (25 to 330 mm)
- Low 5V Power Draw



ESP® Easy Setup Program: Single-point software provides quick and easy setup and configuration of all Microscan readers.

For more information, visit [www.smallscanners.com](http://www.smallscanners.com).

The MS-1 is one of the smallest and lightest fully decoded scan engines in its class. Featuring small size and reliable performance with minimal budget impact, it offers embedded power management, a bi-directional serial link for dynamic configuration, and both a low and high density version.

The MS-1 is the ideal scan engine for OEM design engineers seeking a dependable and inexpensive embedded bar code scanning solution.

**Compact & Lightweight**

MS-1 has a footprint of 1.26" (32 mm) by 0.95" (24 mm), and is 0.44" (11 mm) tall. The engine weighs less than 0.3 ounces (8.4 g) for easy mounting onto robotic equipment or into tight spaces.

**Easy Setup**

ESP software provides easy configuration of the MS-1, including selectable trigger and symbology setting.

**Application Examples**

- Kiosks
- Point-of-sale terminals
- Bank ATMs
- Robotics
- Clinical instruments

**Reading Capabilities**

The MS-1 engine can easily read the most difficult codes, and excels at reading on highly reflective surfaces.

### MS-1: Available Codes

Linear

All Standard



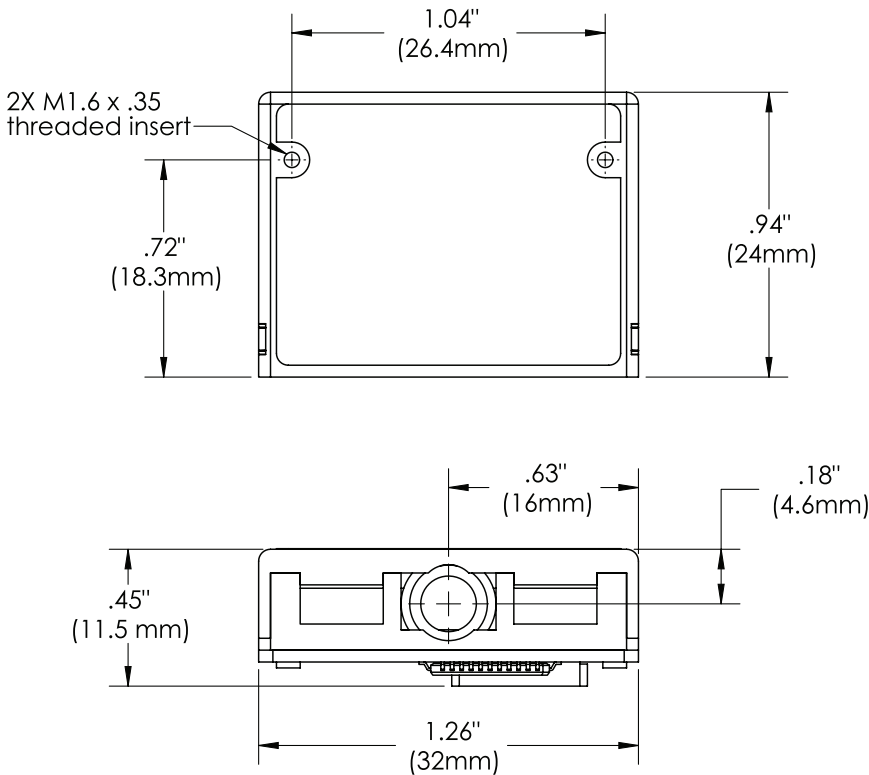
Stacked

GS1 Databar (RSS)



**MICROSCAN®**

# MS-1 SCAN ENGINE SPECIFICATIONS AND OPTIONS



## MECHANICAL

**Height:** 0.45" (11.5 mm)  
**Width:** 1.26" (32 mm)  
**Length:** 0.94" (24 mm)  
**Weight:** .3 oz. (8.4 g)

## DESIGN

**Flash memory sensor:**  
 CCD linear image sensor  
**Optics:** 660 nm visible LED  
 Bright and sharp scanning line

## SCANNING PERFORMANCE

**Scan rate:** 220 scans/sec  
**Min. X dimension:** Down to 3.3 mil (.084 mm) on Code 39  
**Depth of field:** 1.0 to 13" (25 to 330 mm)  
**Bar code width:** Up to 7" (178 mm) on 20 mil (0.5 mm) resolution code

## COMMUNICATION

**Interface:** RS-232 TTL

## CONNECTOR

**Type:** 12-pin ZIF connector

## SYMBOLOGIES

UPC (E&A), EAN, Code 39, Code 128, UCC EAN 128, Interleaved, Industrial and Standard 2 of 5, Codabar, Code 93, MSI, Plessey, GS1 Databar (RSS)

## ENVIRONMENTAL CHARACTERISTICS

**Operating temperature:** -20 to 50° C (-4 to 122° F)  
**Storage temperature:** -20 to 60° C (-4 to 140° F)  
**Relative humidity:** 20% to 85% (non-condensing)  
**Ambient light:** Works in any lighting conditions, from 0 to 70,000 lux  
**Shock:** 2000G  
**Vibration:** 50G r.m.s

## HOST CONNECTOR/PIN ASSIGNMENTS

### 12-Pin ZIF Connector

| Pin No. | Decoded Operation | In/Out |
|---------|-------------------|--------|
| 1       | +5 Power VCC      | In     |
| 2       | TTL_RXD           | In     |
| 3       | Trigger input     | In     |
| 4       | Power enable      | In     |
| 5       | TTL_TXD           | Out    |
| 6       | TTL_RTS           | Out    |
| 7       | Ground            |        |
| 8       | Firmware Upload 1 | In     |
| 9       | LED/Buzzer Output | Out    |
| 10      | TTL_CTS           | In     |
| 11      | Firmware Upload 2 | In     |
| 12      | Reset             | In     |

## CE MARK

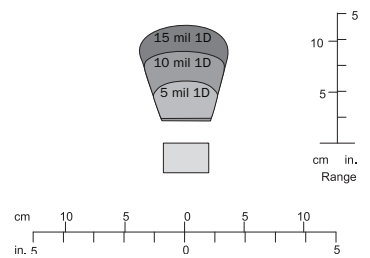
**Immunity designed for:**  
 EN 55-24:1998 ITE Immunity Standard  
**Radiated and conducted emissions designed for:**  
 EN 55022:98 ITE disturbances class A

## ELECTRICAL

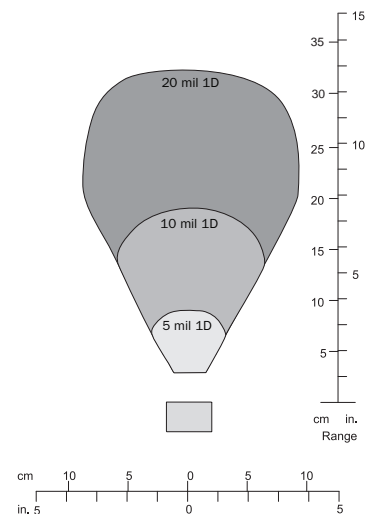
**Power:** 5V +/-5%, 300 m/V p-p max ripple, 120 mA @ 5 VDC (typ.)  
**Start Up Time:** 175 ms



## HIGH DENSITY FIELDS OF VIEW



## LOW DENSITY FIELDS OF VIEW



## READ RANGES

| Narrow-Bar          | Read Range                 | Scan Width                   |
|---------------------|----------------------------|------------------------------|
| <b>HIGH DENSITY</b> |                            |                              |
| .005" (.127 mm)     | 1.1 to 2.3" (28 to 58 mm)  | 2.0" (51 mm) @ 1.9" (48 mm)  |
| .010" (.254 mm)     | 1.0 to 3.5" (25 to 89 mm)  | 2.5" (64 mm) @ 3.1" (79 mm)  |
| .015" (.38 mm)      | 1.0 to 4.5" (25 to 114 mm) | 3.0" (76 mm) @ 3.5" (89 mm)  |
| <b>LOW DENSITY</b>  |                            |                              |
| .005" (.127 mm)     | 1.6 to 3.5" (41 to 89 mm)  | 2.4" (61 mm) @ 3" (76 mm)    |
| .010" (.254 mm)     | 1.5 to 7.6" (38 to 193 mm) | 4.2" (107 mm) @ 6" (152 mm)  |
| .020" (.508 mm)     | 1.5 to 13" (38 to 330 mm)  | 7.0" (178 mm) @ 11" (279 mm) |

## SAFETY CERTIFICATIONS DESIGNED FOR

FCC, UL/cUL, CE



ISO 9001:2000  
**Certified QMS**

## ROHS/WEEE COMPLIANT

## ISO CERTIFICATION

Issued by TÜV USA Inc, Member of TÜV NORD Group, Cert No. 06-1080

©2008 Microscan Systems, Inc. SP015E 09/08  
 Read Range and other performance data is determined using high quality Grade A symbols per ISO/IEC 15415 and ISO/IEC 15416 in a 25°C environment. For application-specific Read Range results, testing should be performed with symbols used in the actual application. Microscan Applications Engineering is available to assist with evaluations. Results may vary depending on symbol quality. **Warranty**—One year limited warranty on parts and labor. Extended warranty available.

# MICROSCAN®

## Microscan Systems, Inc.

Tel 425 226 5700 / 800 251 7711  
 Fax 425 226 8250

## Microscan Europe

Tel 31 172 423360 / Fax 31 172 423366

## Microscan Asia Pacific R.O.

Tel 65 6846 1214 / Fax 65 6846 4641

Part of a full range of sales tools available from our website:

[www.microscan.com](http://www.microscan.com)

**E-mail:** info@microscan.com

**Tech support:** helpdesk@microscan.com