



IT 6300 DPM

2D-code hand-held scanner

Dimensioned drawing

Part No. 501 05370



- Hand-held scanner for Data-Matrix Codes ECC200 and Bar Codes
- High resolution for direct part marking and labels
- Robust trigger button
- Built-in decoder
- Read-display
- RS 232, USB and PS/2 interface
- Operating temperature from -10°C through 50°C



We reserve the right to make changes * IT_6300_e.fm

Accessories:

(available separately)

- TTL RS 232 cable/ext. for IT 6300 (Part No.: 501 05422)
- PS/2 cable for IT 6300 (Part No.: 501 05424)
- USB cable for IT 6300 (Part No.: 501 05426)
- Power supply unit for IT 4xxx (Part No.: 501 03403)

Electrical connection

TTL RS 232 cable/ext. (Part No.: 501 05422)

9-pin Sub-D	Signal	Connection for power supply unit	IT 6300 RJ 41
SH	Shield	SH	2
2	TXD		6
3	RXD		5
5	GND	1	4
7	CTS		9
8	RTS		8
	+5VDC	2	7

USB cable (Part No.: 501 05426)

USB type A	Signal	IT 6300 RJ 41
1	+5VDC	9
2	Data -	10
3	Data +	2
4	GND	4

PS/2 cable (Part No.: 501 05424)

Mini DIN connector	Mini DIN socket	Signal	IT 6300 RJ 41
1	-	PC Data	6
2	2	NC	-
3	3	GND	4
4	4	+5VDC	7
5	-	PC Clock	5
6	6	NC	-
-	1	KB Data	8
-	5	KB Clock	9



Specifications

Electrical data

Operating voltage +5VDC
Power consumption approx. 5W

Interfaces

Interface type TTL RS 232 and USB for code output, setup and image transmission;
PS/2 for code output
Trigger via button or serial

Code types

Code types Data Matrix ECC 200, QR Code
Bar Codes: 2/5 Interleaved, UPC/EAN, Code 39, Code 128, Code 93
Read direction omnidirectional, various tilt and rotational angles up to 34°

Optical data

Optical system high-resolution pixel array with 1280 x 960 pixels
Light source integrated diffuse LED, light-field and dark-field LED
Point of focus 5mm from illumination
Read distance 0 ... 85mm

Mechanical data

Housing polycarbonate/ABS
Weight 270g
Dimensions 81 x 175 x 134mm
Shock resistance 50 falls from a height of 2m
Protection class IP 54

Environmental data

Ambient temp. (operation) -10°C ... +50°C
Ambient temp. (storage) -40°C ... +70°C
Relative air humidity 0% ... 95% (non-condensing)

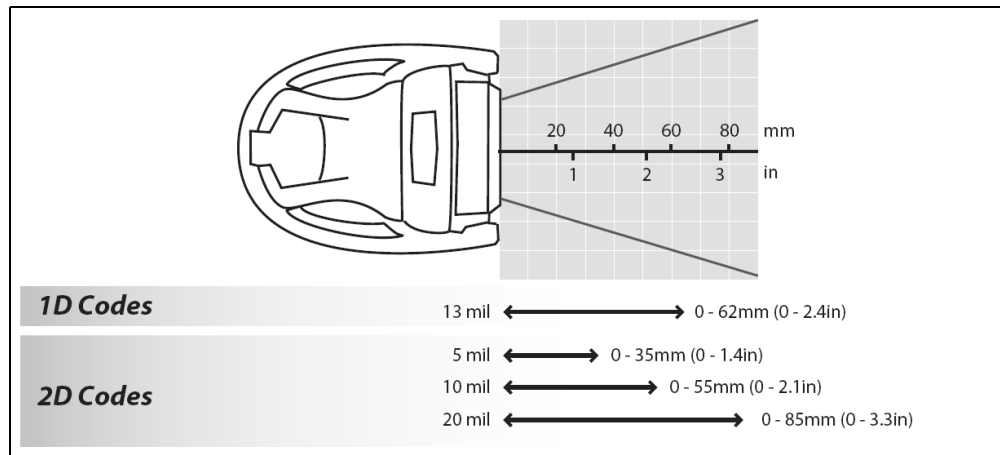
Remarks

Ergonomically designed 2D-code hand-held scanner with integrated decoder for direct part marking (DPM).

Data transmission during keyboard-wedge operation via PS/2 and USB interface, or serial communication via TTL RS 232 and USB interface

For a functional unit, a hand-held scanner and corresponding cable as well as a power supply unit and must be ordered.

Reading curve



Order guide

	Type	Part No.
2D-code hand-held scanner	IT 6300 DPM	501 05380